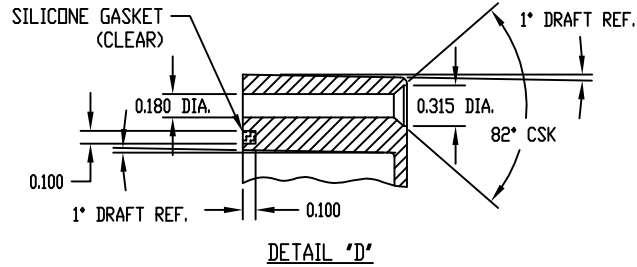
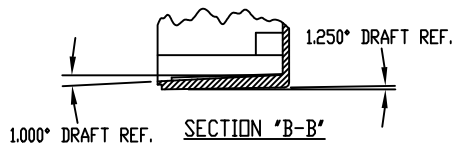


PART NAME	NEMA 4X DIE CAST ALUMINUM ENCLOSURE	PART No.	AN-1308, AN-1308-G, AN-2808 & AN-2808-B	REV. DATE	2-11-09
-----------	-------------------------------------	----------	---	-----------	---------

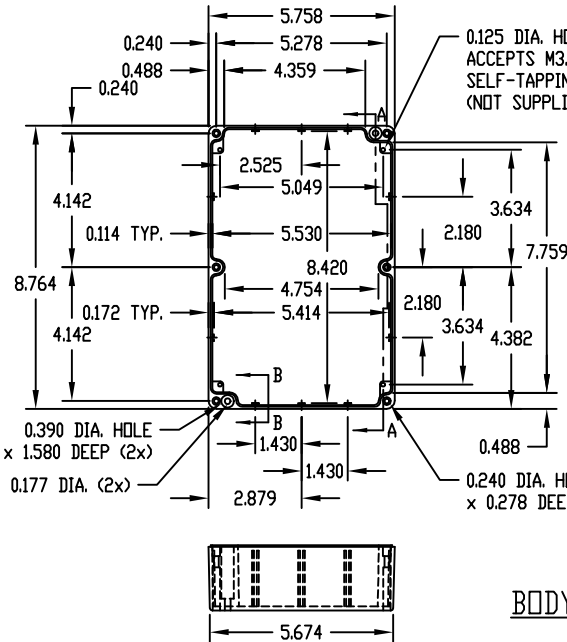


**MATERIAL:** ALUMINUM ALLOY #ADC-12

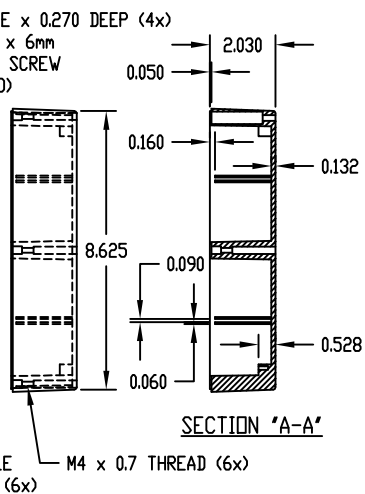
**FINISH:** NATURAL (NO SUFFIX)  
GRAY (SUFFIX -G)  
SMOOTH BLACK (SUFFIX -B)

**NOTES:**

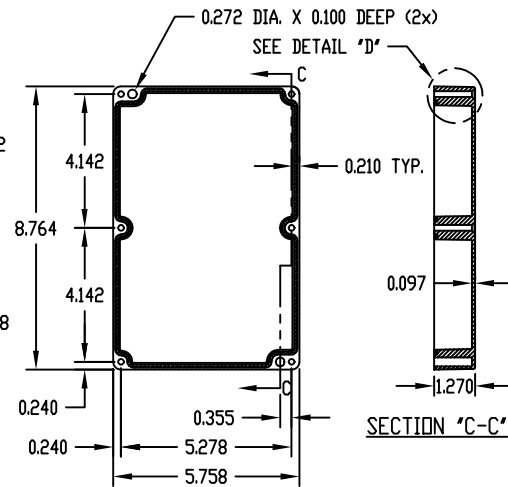
- 1) SIX (6) M4 x 20mm (0.787") LG. SCREWS SUPPLIED FOR ASSEMBLY OF COVER TO BODY.
- 2) ALL HOLE DIAMETERS HAVE ±0.005 TOLERANCE  
ALL OTHER DIMENSIONS HAVE ±0.015 TOLERANCE



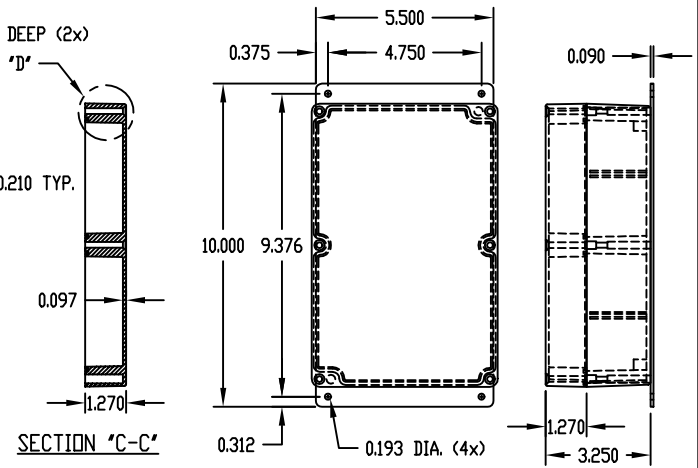
BODY



SECTION 'A-A'



COVER



SECTION 'C-C'

PART NO. AN-2808 & AN-2808-B ARE SUPPLIED WITH A WELDED ON MOUNTING BRACKET ONLY.